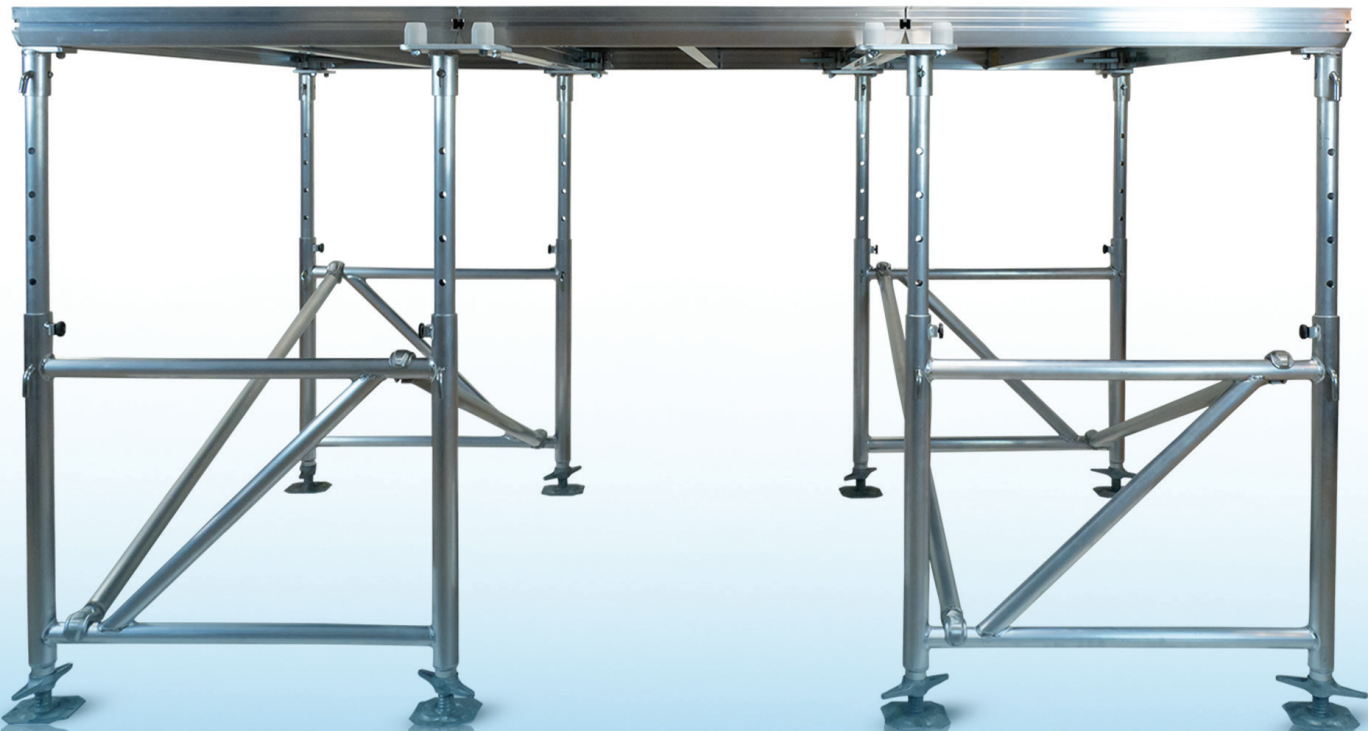


Prolyte

Easyframe E



Prolyte Easyframe E

Features

In addition to the existing Stagedex range, Prolyte created a new multipurpose support frame that provides the ultimate configuration flexibility. Simplicity is key.

System Description:

The StageDex EasyFrame E can be used for flat stages as well as raised platforms for special set sceneries. Ease of assembly also reduces build-up times. No tools are needed for the assembly of your setup.

The bases of the system are H-frames in combination with diagonal braces, creating an area of standard measurements of 200x100cm and 100x100cm.

The system is adjustable in height between 110cm and 150cm in steps of 10cm. The system can be secured by using the standard self-locking 16mm L-pin.

By using 4-way adapters, not every deck requires its own support frame. This allows you to create free corridors under the stage. Useful as storage space for empties, the ideal location for dimmer city or other uses.

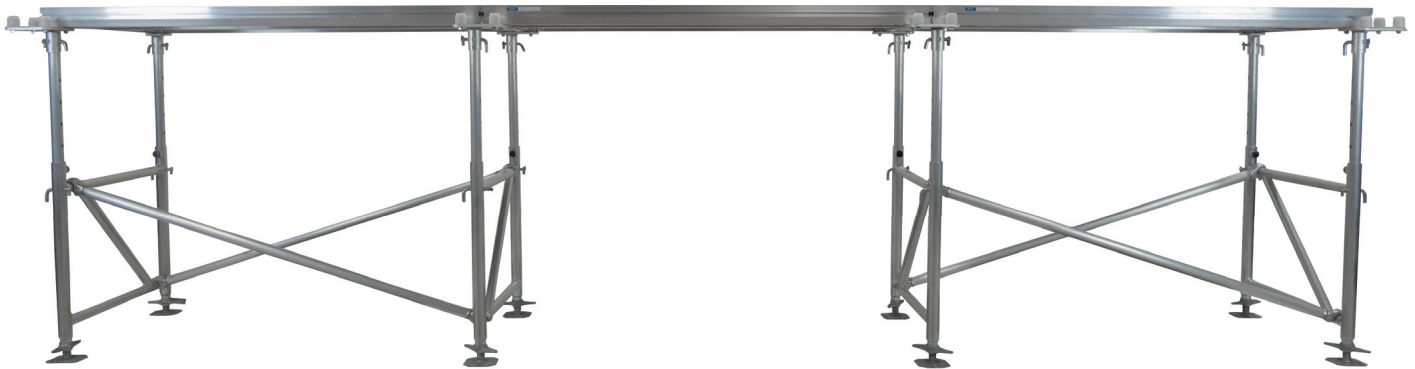
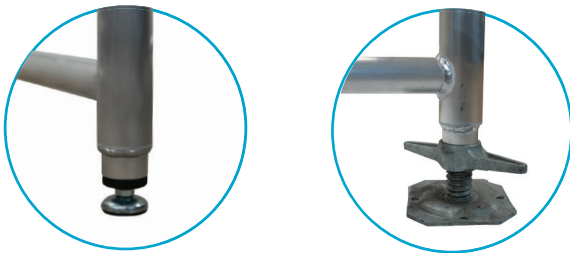
The H-frames can be equipped with built-in adjustable feet or can be used in combination with a scaffolding spindle.

Technical specifications:

Types	• H-frames/ tubes with quick release claws
Alloy	• EN AW 6082T6
Tubes	• 60x5mm / 48x3mm
Loading capacity	• UDL 500kg/m2

Advantages:

- Setup is fast, straightforward and requires no tools
- Easy to handle due to the use of lightweight materials
- Can be used for flat stages as well as raised platforms
- Free corridors can be created under the stage



Contact us

- 📍 Industriepark 9, 9351 PA Leek, The Netherlands
- ✉ +31 (0)594 851 515, sales@prolyte.com
- 🌐 www.prolyte.com



PROLYTE⁴
Feel. Fantastic.